

BLAZE 56W & 56WE

White LED Floodlights, Low Voltage or PoE



Easy Integration and Control

Blaze lights have a built-in light sensor and can be setup to turn ON/OFF depending on lighting conditions. Or, use the light's I/O ports to connect to a camera, sensor or other I/O port device to turn the light ON/OFF based upon preset conditions.

Range and Input Power Options

Match the lights beam angle to your sites lighting requirements by choosing a lens angle from the range chart below. Choose low voltage 56W or PoE powered 56WE.

Lifetime Warranty - Made in the USA

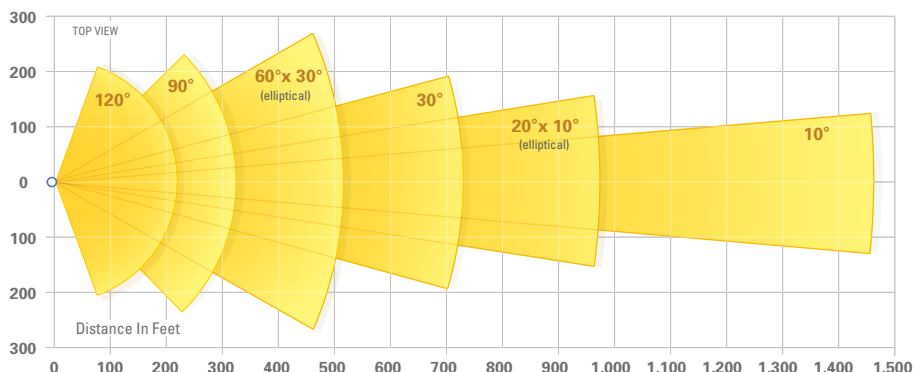
AXTON Lights are covered by a lifetime warranty and are designed and manufactured in the USA.

FEATURES

- White Light - 11,875 Lumens
- Outdoor IP67 Rated
- Energy Efficient - 56 Watts
- Advanced LED Technology
- I/O Port Sync with Sensors, Devices
- Automatic Day/Night Sensor
- Designed and Manufactured in the USA
- Lifetime Warranty

RANGE

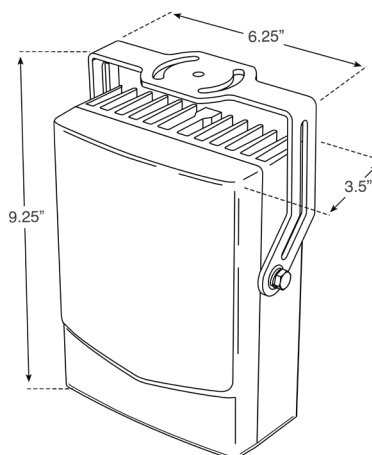
BEAM ANGLE OPTIONS



Angle: 120° Range: 223ft/68m HFOV: 387ft/118m	Angle: 90° Range: 327ft/99m HFOV: 420ft/128m	Angle: 60° x 30° Range: 508ft/156m HFOV: 508ft/156m	Angle: 30° Range: 726ft/221m HFOV: 375ft/114m	Angle: 20° x 10° Range: 968ft/295m HFOV: 302ft/92m	Angle: 10° Range: 1,452ft/443m HFOV: 253ft/77m
--	---	--	--	---	---

SPECIFICATIONS

White Light	Lumens: 11,875 Lm / Temp: 5000K
56W - Input Voltage	24 to 36 VDC or 24 VAC
56WE - Input Voltage	PoE++ (36 VDC auxiliary available)
Angle/Range Options:	120°, 90°, (60°x30°), 30°, (20°x10°) or 10°
Power Consumption	56 Watts
Operating Temp.	-58° to 140°F / -50° to 60°C
Dimensions	6.25" x 3.5" x 9.25" / 159 x 89 x 235mm
Weight	5.5 lbs / 2.5kg
Environmental	Outdoor IP67 Rated
Mounting	Pan/Tilt U Bracket Included



801 Robinson Drive, Suite #500, North Salt Lake, UT 84054
Tel: 801/519-0500 • Email: sales@axtontech.com • Website: axtontech.com

