

# HELIOS 25YW

Battery, Solar Power White LED Floodlight



## Helios Off-Grid Security LED Floodlights

Helios series lights are engineered for Off-Grid Battery, Solar Powered Security Systems. Helios lights are Outdoor IP67 Rated, weatherproof and vandal resistant.

## Easy Integration and Control

Helios lights have a built-in Day/Night light sensor to turn the light ON/OFF automatically. For more precise control, the I/O ports connect to a camera, motion sensor or other I/O port equipped device to turn the light ON/OFF based on preset conditions.

## Lifetime Warranty - Made in the USA

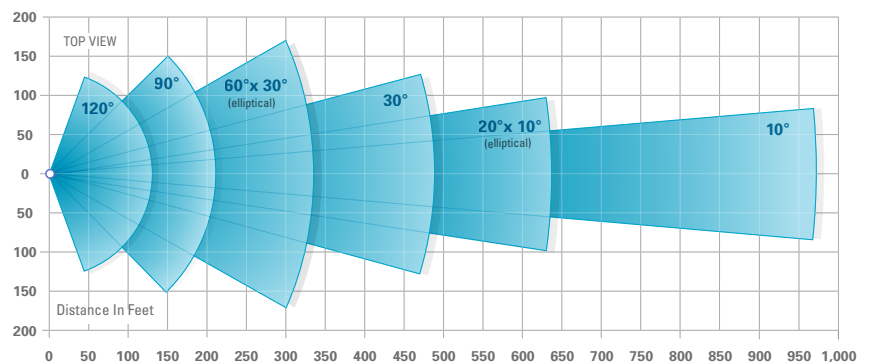
AXTON Lighting is handmade in the USA and backed by a lifetime warranty with advanced replacement.

### FEATURES

- Advanced Technology Energy Efficient LEDs
- White Light - 5,250 lumens, 5000K
- Outdoor IP67 Rated - Weatherproof
- I/O Port Sync with Sensors, Devices
- Automatic Day/Night Sensor
- Rugged and Vandal Resistant
- Designed for Off-Grid Security
- Lifetime Warranty, Made in the USA

### RANGE

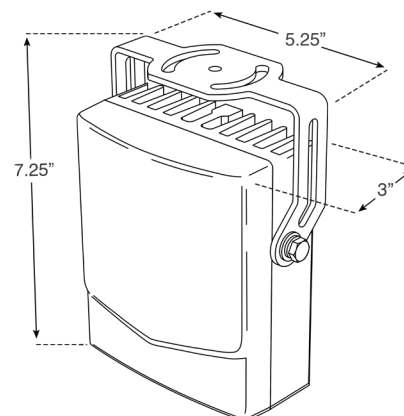
Beam Angle Options



Angle: <b>120°</b> Range: 145ft/44m HFOV: 251ft/76m	Angle: <b>90°</b> Range: 211ft/64m HFOV: 272ft/83m	Angle: <b>60° x 30°</b> Range: 344ft/105m HFOV: 344ft/105m	Angle: <b>30°</b> Range: 484ft/147m HFOV: 250ft/76m	Angle: <b>20° x 10°</b> Range: 641ft/195m HFOV: 200ft/61m	Angle: <b>10°</b> Range: 968ft/295m HFOV: 169ft/52m
---	--	--	---	---	---

### SPECIFICATIONS

White Light	Lumens: 5,250 Lm/ Temp: 5000K
Input Voltage	9 to 28 VDC
Angle/Range Options:	120°, 90° (60°x30°) 30° (20°x10°) or 10°
Power Consumption	25 Watts
Operating Temp.	-58° to 140°F / -50° to 60°C
Dimensions	5.25" x 3" x 7.25" / 33 x 76 x 184mm
Weight	3 lbs / 1.3kg
Environmental	Outdoor IP67 Rated
Mounting	Pan/Tilt U Bracket Included



UNIVERSAL SOLUTIONS



801 Robinson Drive, Suite #500, North Salt Lake, UT 84054  
Tel: 801/519-0500 • Email: sales@axtontech.com • Website: axtontech.com

